

Introduction:

PROTECH INDIA is a leading manufacturer specializing in Control Panel Accessories, featuring base materials of Zinc Alloy, Aluminum, Stainless Steel 316, 304 , PA6, & multiple surface treatments like zinc blue passivation, Nickle chrome, anodizing, ED coating, Powder coating, Satin polish, for durability and aesthetics.



APPLICATIONS

Electrical & Electronics



Agricultural



Aerospace



Railway



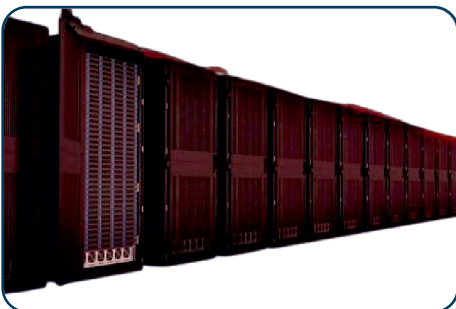
Solar energy Inverter



Wind energy Inverter



IT Data Center



CNC Machineries



Product Index

Page No

Page No

HINGES

3-9



25-30

PRESS LOCKS



HANDLES

10-13



31-35

SWING LOCKS



Q-TURN LOCKS

14-20



36-41

LATCH LOCKS



HANDLE LOCKS

21-24



42-45

ACCESSORIES



Hinges

We manufacture comprehensive range of Hinges
 In various types cabin hinge, lift off hinge, corner hinge,
 concealed hinge, steel hinge..etc. & various surface
 finish, nickel chrome, black, mirror finish etc..
 We support customers by developing customized
 hinges.



HINGES

Hinges Overview:

PROTECH INDIA hinged solutions: materials, finishes, and model ranges for control panels.

Types: Corner hinges, Tube hinges, Slope hinges, L-shaped hinges, Concealed hinges, Cabin hinge.

Materials: Zinc alloy; Carbon steel, 304 stainless steel.

Finishes: Black powder coating, bright chromium, sand blast.

Models: Product line PTICPA1001 to PTICPA1034

Designed for varied mounting and movement, surface treatments for corrosion resistance.



PTICPA1001



PROJECT	DESCRIPTION
PRODUCT MODEL	CORNER HINGE 180°
MAIN MATERIAL	ZINC ALLOY
SURFACE TREATMENT	BLACK POWDER COATED

PTICPA1002 PTICPA1003



PROJECT	DESCRIPTION
PRODUCT MODEL	PTICPA1002 HINGE BLACK PTICPA1003 HINGE MATTE
MAIN MATERIAL	ZINC ALLOY
SURFACE TREATMENT	BLACK / BRIGHT CHROMIUM

PTICPA1004 PTICPA1005



PROJECT	DESCRIPTION
PRODUCT MODEL	PTICPA1004 TUBE HINGE BLACK PTICPA1005 TUBE HINGE BLACK
MAIN MATERIAL	ZINC ALLOY
SURFACE TREATMENT	BLACK / BRIGHT CHROMIUM

PTICPA1006 PTICPA1007 PTICPA1008



PROJECT	DESCRIPTION
PRODUCT MODEL	PTICPA1006 L HNGE BLACK PTICPA1007 L HINGE MATT PTICPA1008 L HINGE BRIGHT
MAIN MATERIAL	ZINC ALLOY
SURFACE TREATMENT	BLACK / BRIGHT CHROMIUM

PTICPA1009
PTICPA1010



PROJECT	DESCRIPTION
PRODUCT MODEL	PTICPA1009 SLOPE HNGE BLACK PTICPA1010 SLOPE HNGE BLUE
MAIN MATERIAL	ZINC ALLOY
SURFACE TREATMENT	BLACK / BLUE

PTICPA1011
PTICPA1012



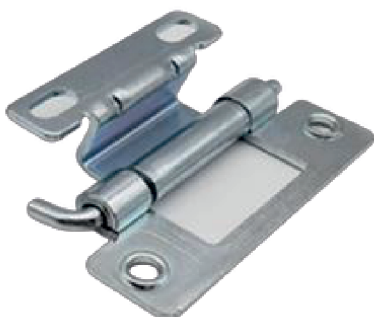
PROJECT	DESCRIPTION
PRODUCT MODEL	PTICPA1011 SQ. 60 HINGE BLACK PTICPA1012 SQ. 60 HINGE CHROME
MAIN MATERIAL	ZINC ALLOY
SURFACE TREATMENT	BLACK POWDER COATED NICKLE CHROME PLATED

PTICPA1013
PTICPA1014



PROJECT	DESCRIPTION
PRODUCT MODEL	PTICPA1013 HINGE BLACK PTICPA1014 HINGE MATTE
MAIN MATERIAL	ZINC ALLOY
SURFACE TREATMENT	BLACK / BRIGHT CHROMIUM

PTICPA1015



PROJECT	DESCRIPTION
PRODUCT MODEL	STEEL HINGE ZINC BLUE PASSIVATED
MAIN MATERIAL	CARBON STEEL
SURFACE TREATMENT	ZINC BLUE PASSIVATED

PTICPA1016
PTICPA1017



PROJECT	DESCRIPTION
PRODUCT MODEL	PTICPA1016 HINGE 40MM PTICPA1017 HINGE 30MM
MAIN MATERIAL	ZINC ALLOY
SURFACE TREATMENT	BLACK

PTICPA1018
PTICPA1019
PTICPA1020
PTICPA1021
PTICPA1022
PTICPA1023



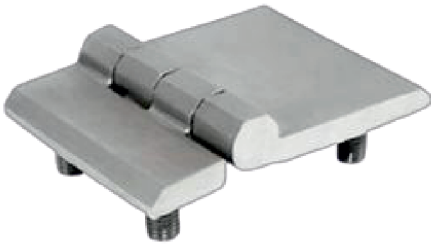
PROJECT	DESCRIPTION
PRODUCT MODEL	PTICPA1018 HINGE BLACK PTICPA1019 HINGE PTICPA1020 HINGE BLACK WEAKEN PTICPA1021 HINGE SAND WEAKEN PTICPA1022 HINGE BLACK REINFORCED PTICPA1023 HINGE SAND REINFORCED
MAIN MATERIAL	ZINC ALLOY
SURFACE TREATMENT	BLACK / SAND BLAST

PTICPA1024



PROJECT	DESCRIPTION
PRODUCT MODEL	HINGE BLACK
MAIN MATERIAL	ZINC ALLOY
SURFACE TREATMENT	BLACK

PTICPA1025



PROJECT	DESCRIPTION
PRODUCT MODEL	HINGE WITH STUD
MAIN MATERIAL	304 STAINLESS STEEL
SURFACE TREATMENT	MIRROR FINISH / BRUSHED

PTICPA1026



PROJECT	DESCRIPTION
PRODUCT MODEL	HINGE SS
MAIN MATERIAL	304 STAINLESS STEEL
SURFACE TREATMENT	MIRROR FINISH / BRUSHED

PTICPA1027



PROJECT	DESCRIPTION
PRODUCT MODEL	L HINGE SS
MAIN MATERIAL	304 STAINLESS STEEL
SURFACE TREATMENT	MIRROR FINISH / BRUSHED

PTICPA1028



PROJECT	DESCRIPTION
PRODUCT MODEL	SQ. 60 HINGE SS
MAIN MATERIAL	304 STAINLESS STEEL
SURFACE TREATMENT	MIRROR FINISH / BRUSHED

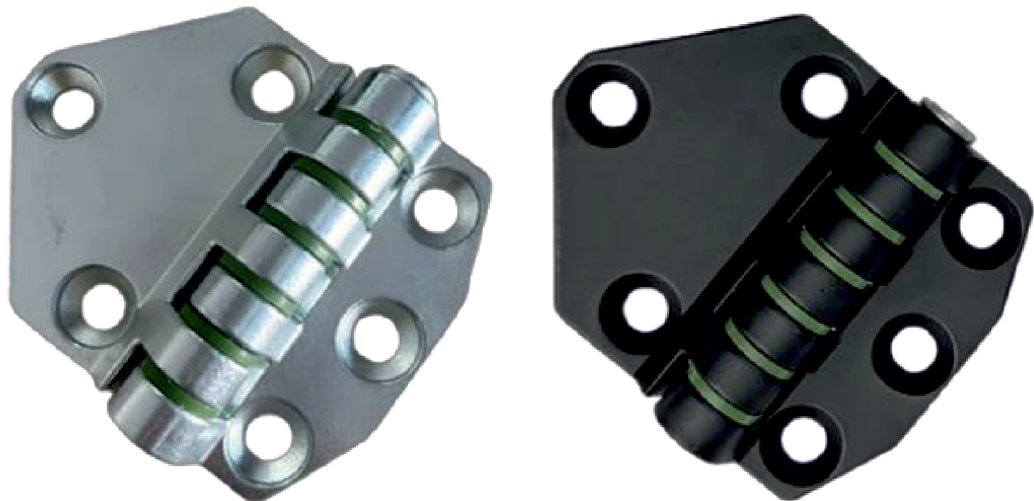
PTICPA1029

200H



PROJECT	DESCRIPTION
PRODUCT MODEL	HINGE PART
MAIN MATERIAL	304 STAINLESS STEEL
SURFACE TREATMENT	BRUSHED / SATIN POLISH

PTICPA1030



PROJECT	DESCRIPTION
PRODUCT MODEL	CABIN HINGE
MAIN MATERIAL	MANGANESE STEEL CASTING
SURFACE TREATMENT	ZINC BLUE / BLACK

Handles: We manufacture comprehensive range of Handle products based on application like SS304 handles, Aluminum Handles, PA handles, foldable Handle, rotatable Handle, lift Handle, Dish handle. We support customers by developing customized handles.



Handles Overview - Types, Materials & Models

Quick reference for control-panel handles: variants, materials, finishes, and model range.

Types: Folded, lift, foldable handles for control panels.

Materials: zinc alloy, stainless steel, ABS and PA for lift handles

Surface treatments: Powder coating, bright chromium, mirror polishing

Models: PTICPA2003 to PTICPA2017 covering multiple sizes and finishes.

Design focus: ergonomic, durable; supports static and dynamic loads.



HANDLES

PTICPA2001



PROJECT	DESCRIPTION
PRODUCT MODEL	HANDLE ALUMINUM
MAIN MATERIAL	ALUMINIUM & PA
SURFACE TREATMENT	ANODIZED

PTICPA2002 PTICPA2003



PROJECT	DESCRIPTION
PRODUCT MODEL	PTICPA2003 HANDE BLACK PTICPA2004 HANDLE MATTE
MAIN MATERIAL	ZINC ALLOY
SURFACE TREATMENT	BLACK POWDER COATED NICKLE CHROME PLATED

PTICPA2004 PTICPA2005 PTICPA2006



PROJECT	DESCRIPTION
PRODUCT MODEL	PTICPA2004 HANDE BLACK PTICPA2005 HANDLE MATTE PTICPA2006 HANDLE BRIGHT
MAIN MATERIAL	ZINC ALLOY
SURFACE TREATMENT	BLACK / SAND CHROMIUM / BRIGHT CHROMIUM

PTICPA2007
PTICPA2008



PROJECT	DESCRIPTION
PRODUCT MODEL	PTICPA2007 HANDLE SS304 8x100mm PTICPA2008 HANDLE SS304 8x150mm
MAIN MATERIAL	CARBON STEEL
SURFACE TREATMENT	MIRROR POLISHED

PTICPA2009
PTICPA2010



PROJECT	DESCRIPTION
PRODUCT MODEL	PTICPA2009 HANDLE 8x100mm PTICPA2010 HANDLE 10x120mm
MAIN MATERIAL	CARBON STEEL
SURFACE TREATMENT	BRIGHT CHROME

PTICPA2011
PTICPA2012



PROJECT	DESCRIPTION
PRODUCT MODEL	PTICPA2011 LIFT HANDLE BLACK 78mm PTICPA2012 LIFT HANDLE MATT 78mm
MAIN MATERIAL	ABS
SURFACE TREATMENT	BLACK / OFF WHITE

PTICPA2013



PROJECT	DESCRIPTION
PRODUCT MODEL	LIFT HANDLE BLACK 110mm
MAIN MATERIAL	PA
SURFACE TREATMENT	BLACK

PTICPA2014
PTICPA2015
PTICPA2016
PTICPA2017



PROJECT	DESCRIPTION
PRODUCT MODEL	PTICPA2014 FOLDABLE HANDLE 93mm BLACK PTICPA2015 FOLDABLE HANDLE 93mm Matt PTICPA2016 FOLDABLE HANDLE 110mm BLACK PTICPA2017 FOLDABLE HANDLE 110mm Matt
MAIN MATERIAL	ZINC ALLOY
SURFACE TREATMENT	ZINC ALLOY / BLACK SAND CHROMIUM

PTICPA2018



PROJECT	DESCRIPTION
PRODUCT MODEL	HANDLE BLACK 120mm
MAIN MATERIAL	PA
SURFACE TREATMENT	BLACK / BRIGHT CHROME

Quarter Turn Locks:

We manufacture comprehensive range of Quarter turn locks, Triangle, Square, Wing Type, Pad lock type & key version

We support customers by developing customized Quarter Turn locks.



QUARTER TURN LOCKS

Q-Turn Locks Overview:

Overview of types, materials, mechanisms, finishes and model range.

Lock types: Quarter-turn (Q-turn) locks for panel access

Materials: Zinc alloy and stainless steel for strength and corrosion resistance.

Mechanisms: Robust locking mechanisms designed for tamper resistance and ease of operation.

Lock styles: Triangle, Square, DB-3, DB-5 & Wing lock designs.

Finishes: Bright chromium and black coatings for durability and aesthetics



PTICPA3001



PROJECT	DESCRIPTION
PRODUCT MODEL	QT. LOCK BH 32mm
MAIN MATERIAL	ZINC ALLOY
SURFACE TREATMENT	NICKLE CHROME

PTICPA3002



PROJECT	DESCRIPTION
PRODUCT MODEL	WING KNOB QT.LOCK
MAIN MATERIAL	SS316
SURFACE TREATMENT	SATIN POLISH

PTICPA3003



PROJECT	DESCRIPTION
PRODUCT MODEL	QT. LOCK BH 10.5mm
MAIN MATERIAL	ZINC ALLOY
SURFACE TREATMENT	NICKLE CHROME

PTICPA3004
PTICPA3005



PROJECT	DESCRIPTION
PRODUCT MODEL	PTICPA3004 QT. LOCK TRIANGLE PTICPA3005 QT. LOCK SQUARE
MAIN MATERIAL	ZINC ALLOY
SURFACE TREATMENT	NICKLE CHROME

MEASURE	MEASURE	MEASURE	MEASURE	MEASURE	NAME	MEASURE
10mm	12mm	17mm	5mm	7mm	H1	3mm
28mm	30mm	35mm	23mm	25mm	H2	21mm

PTICPA3006
PTICPA3007



PROJECT	DESCRIPTION
PRODUCT MODEL	PTICPA3006 QT. PUSH LOCK BLACK PTICPA3007 QT. PUSH LOCK BRIGHT
MAIN MATERIAL	ZINC ALLOY
SURFACE TREATMENT	BLACK / BRIGHT CHROME

PTICPA3008
PTICPA3009
PTICPA3010



PROJECT	DESCRIPTION
PRODUCT MODEL	PTICPA3008 QT. SQUARE & PIN5 LOCK BLACK PTICPA3009 QT. SQUARE & PIN5 LOCK MATTE PTICPA3010 QT. SQUARE & PIN5 LOCK BRIGHT
MAIN MATERIAL	ZINC ALLOY
SURFACE TREATMENT	BLACK / BRIGHT / BEIGE

PTICPA3011



PROJECT	DESCRIPTION
PRODUCT MODEL	QT. LOCK TRIANGLE CHROME
MAIN MATERIAL	ZINC ALLOY
SURFACE TREATMENT	BRIHT CHROME

PTICPA3012



PROJECT	DESCRIPTION
PRODUCT MODEL	QT. PA WING LOCK BLACK
MAIN MATERIAL	ZINC ALLOY / PA
SURFACE TREATMENT	BLACK

PTICPA3013



PROJECT	DESCRIPTION
PRODUCT MODEL	QUARTER TURN HOOK LOCK
MAIN MATERIAL	ZINC ALLOY
SURFACE TREATMENT	BRIGHT CHROME

PTICPA3014

PTICPA3015



PROJECT	DESCRIPTION
PRODUCT MODEL	PTICPA3008 Q TURN LOCK STAR KEY PTICPA3009 Q TURN LOCK PROFILE KEY
MAIN MATERIAL	ZINC ALLOY
SURFACE TREATMENT	BRIGHT CHROME

PTICPA3016
PTICPA3017



PROJECT	DESCRIPTION
PRODUCT MODEL	PTICPA3016 RAPELLING GEAR BLACK PTICPA3017 RAPELLING GEAR BRIGHT
MAIN MATERIAL	ZINC ALLOY
SURFACE TREATMENT	BRIGHT / BLACK / GREY

PTICPA3018
PTICPA3019



PROJECT	DESCRIPTION
PRODUCT MODEL	PTICPA3018 WING LOCK WITH KEY BLACK PTICPA3019 WING LOCK WITH KEY MATT
MAIN MATERIAL	ZINC ALLOY
SURFACE TREATMENT	BRIGHT CHROME / BLACK

PTICPA3020
PTICPA3021



PROJECT	DESCRIPTION
PRODUCT MODEL	PTICPA3020 SQUARE LOCK SS PTICPA3021 TRIANGULAR LOCK SS
MAIN MATERIAL	304 STAINLESS STEEL
SURFACE TREATMENT	BRUSHED

PTICPA3022
PTICPA3023
PTICPA3024



PROJECT	DESCRIPTION
PRODUCT MODEL	PTICPA3022 PIN5 LOCK SS PTICPA3023 TRIANGULAR LOCK SS PTICPA3024 TRIANGULAR LOCK SS
MAIN MATERIAL	304 STAINLESS STEEL
SURFACE TREATMENT	BRUSHED

PTICPA3025



PROJECT	DESCRIPTION
PRODUCT MODEL	LONG SQUARE LOCK SS
MAIN MATERIAL	304 STAINLESS STEEL
SURFACE TREATMENT	BRUSHED

PTICPA3026



PROJECT	DESCRIPTION
PRODUCT MODEL	QUARTER TURN LONG SHAFT PIN5mm LOCK SS
MAIN MATERIAL	304 STAINLESS STEEL
SURFACE TREATMENT	BRUSHED

Handle Locks:

We manufacture comprehensive range of handle locks for Control Panels with flappable, key version, without key version & different surface finish.

We support customers by developing customized handle locks.



HANDLE LOCKS

Handles Locks Overview - Types, Materials & Models

Quick reference for control-panel handles:
variants, materials, finishes, and model range.

Types: Folded, lift, foldable handles for control panels.

Materials: Zinc alloy, stainless steel; ABS and PA for lift handles

Surface treatments: Powder coating, bright chromium, mirror polishing.

Models: PTICPA2003 to PTICPA2017 covering multiple sizes and finishes

Design focus: Ergonomic, durable; supports static and dynamic loads.



PTICPA4001
PTICPA4002
PTICPA4003
PTICPA4004



PROJECT	DESCRIPTION
PRODUCT MODEL	PTICPA4001 HANDLE LOCK BRIGHT WITH KEY PTICPA4002 HANDLE LOCK BRIGHT WITHOUT KEY PTICPA4003 HANDLE LOCK BLACK WITH KEY PTICPA4004 HANDLE LOCK BLACK WITHOUT KEY
MAIN MATERIAL	ZINC ALLOY
SURFACE TREATMENT	BLACK / BRIGHT CHROME

PTICPA4005
PTICPA4006



PROJECT	DESCRIPTION
PRODUCT MODEL	PTICPA4005 HANDLE LOCK ZINC ALLOY PTICPA4006 HANDLE LOCK ALUMINIUM ALLOY
MAIN MATERIAL	ZINC ALLOY
SURFACE TREATMENT	BLACK / BRIGHT CHROME

PTICPA4007
PTICPA4008



PROJECT	DESCRIPTION
PRODUCT MODEL	PTICPA4007 HANDLE LOCK WITH KEY ZINC ALLOY PTICPA4008 HANDLE LOCK WITH KEY ALUMINIUM ALLOY
MAIN MATERIAL	ZINC ALLOY
SURFACE TREATMENT	BRIGHT CHROME

PTICPA4009
PTICPA4010



PROJECT	DESCRIPTION
PRODUCT MODEL	PTICPA4009 HANDLE LOCK WITHOUT KEY ZINC ALLOY PTICPA4010 HANDLE LOCK WITH KEY ALUMINIUM ALLOY
MAIN MATERIAL	ZINC ALLOY
SURFACE TREATMENT	BRIGHT CHROME / BLACK

PTICPA4011 PTICPA4012



PROJECT	DESCRIPTION
PRODUCT MODEL	PTICPA4011 FLIP L HANDLE LOCK 116mm PTICPA4012 FLIP L HANDLE LOCK 100mm
MAIN MATERIAL	ZINC ALLOY / ALUMINUM ALLOY
SURFACE TREATMENT	BRIGHT CHROME

PTICPA4013



PROJECT	DESCRIPTION
PRODUCT MODEL	LITTLE LOCK
MAIN MATERIAL	ZINC ALLOY / PA
SURFACE TREATMENT	MULTI COLOR

PTICPA4014



PROJECT	DESCRIPTION
PRODUCT MODEL	LOCK ZINC ALLOY WITH KEY
MAIN MATERIAL	ZINC ALLOY / PA
SURFACE TREATMENT	NICKLE CHROME

PTICPA4015



PROJECT	DESCRIPTION
PRODUCT MODEL	T HANDLE LOCK SS
MAIN MATERIAL	304 STAINLESS STEEL
SURFACE TREATMENT	BRUSHED

Press Locks:

We manufacture comprehensive range of Press locks for Control Panel, with key, without key version & with different surface finish like chrome, black etc.

We support customers by developing customized press locks.



Press Locks Overview - Types, Materials & Models

Quick reference for control-panel handles: variants, materials, finishes, and model range.

Types: Folded, lift, foldable handles for control panels

Materials: Zinc alloy, stainless steel; ABS and PA for lift handles.

Surface treatments: Powder coating, bright chromium, mirror polishing.

Models: PTICPA2003 to PTICPA2017 covering multiple sizes and finishes.

Design focus: Ergonomic, durable; supports static and dynamic loads.

PRESS LOCKS

PTICPA5001
PTICPA5002
PTICPA5003
PTICPA5004
PTICPA5005



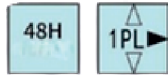
PROJECT	DESCRIPTION
PRODUCT MODEL	PTICPA5001 PRESS LOCK BLACK LONG SUPPORT STRAP WITH KEY PTICPA5002 PRESS LOCK BLACK SHORT BRACKET WITH KEY PTICPA5003 PRESS LOCK BLACK LONG SUPPORT STRAP WITHOUT KEY PTICPA5004 PRESS LOCK BLACK SHORT BRACKET WITHOUT KEY PTICPA5005 PRESS LOCK BUTTON TYPE LOCK
MAIN MATERIAL	LOCK BODY ZINC ALLOY, CARBON STEEL FITTINGS
SURFACE TREATMENT OF LOCK BODY	BLACK CHROME / BLACK
ACCESSARY SURFACE TREATMENT	BLUE WHITE ZINC PLATING WITH COLORED ZINC (SST 48-720 HOURS)
IP RATING	IP 40
HANDLE CARRYING TENSION VALUE	≤1200N
MAXIMUM STATIC LOAD	200N
REMARKS	SUPPORT CUSTOMIZATION

PTICPA5006
PTICPA5007
PTICPA5008
PTICPA5009



PROJECT	DESCRIPTION
PRODUCT MODEL	PTICPA5006 PRESS LOCK 67MM WITH KEY PTICPA5007 PRESS LOCK 52MM WITH KEY PTICPA5008 PRESS LOCK 35MM WITH KEY PTICPA5009 PRESS LOCK 21MM WITH KEY
MAIN MATERIAL	LOCK BODY ZINC ALLOY, CARBON STEEL FITTINGS
ACCESSARY SURFACE TREATMENT	BLUE WHITE ZINC PLATING WITH COLORED ZINC (SST 48-720 HOURS)
HANDLE CARRYING TENSION VALUE	≤1300N
MAXIMUM STATIC LOAD	290N

PTICPA5010
PTICPA5011
PTICPA5012



PROJECT	DESCRIPTION
PRODUCT MODEL	PTICPA5010 PRESS LOCK BLACK PTICPA5011 PRESS LOCK RED PTICPA5012 PRESS LOCK BLUE
MAIN MATERIAL	ZINC ALLOY, NYLON
SURFACE TREATMENT OF LOCK BODY	MULTIPLE COLORS
REMARKS	SUPPORT CUSTOMIZATION

PTICPA5013



PROJECT	DESCRIPTION
PRODUCT MODEL	SS LOCKS WITH HOLES
MAIN MATERIAL	LOCK BODY CARBON STEEL / STAINLESS STEEL
SURFACE TREATMENT	MIRROR FINISH

PTICPA5014



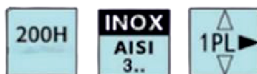
PROJECT	DESCRIPTION
PRODUCT MODEL	SS LOCKS WITHOUT HOLES
MAIN MATERIAL	LOCK BODY CARBON STEEL / STAINLESS STEEL
SURFACE TREATMENT	MIRROR FINISH

PTICPA5015
PTICPA5016



PROJECT	DESCRIPTION
PRODUCT MODEL	STAINLESS STEEL BUCKLE (4mm THICK)
MAIN MATERIAL	304 STAINLESS STEEL
SURFACE TREATMENT	MIRROR FINISH

PTICPA5017



PROJECT	DESCRIPTION
PRODUCT MODEL	SMALL / MEDIUM SIZED BUCKLE
MAIN MATERIAL	304 STAINLESS STEEL
SURFACE TREATMENT	MIRROR FINISH

PTICPA5018
PTICPA5019


PROJECT	DESCRIPTION
PRODUCT MODEL	PTICPA5018 PRESS LOCK BLACK WITH KEY PTICPA5019 PRESS LOCK WATER POOF CAP
MAIN MATERIAL	LOCK BODY ZINC ALLOY, CARBON STEEL FITTINGS
SURFACE TREATMENT OF LOCK BODY	BRIGHT CHROME / BLACK
ACCESSARY SURFACE TREATMENT	BLUE WHITE ZINC PLATING WITH COLORED ZINC (SST 48-720 HOURS)
IP RATING	IP 65
HANDLE CARRYING TENSION VALUE	≤1300N
HANDLE LOAD TORQUE VALUE	≤290N.m

PTICPA5020
PTICPA5021
PTICPA5022


PROJECT	DESCRIPTION
PRODUCT MODEL	PTICPA5020 PRESS LOCK BLACK WITH KEY PTICPA5021 PRESS LOCK GREY WITH KEY PTICPA5022 WATERPROOF CAP
MAIN MATERIAL	LOCK BODY ZINC ALLOY, CARBON STEEL FITTINGS
SURFACE TREATMENT OF LOCK BODY	BRIGHT CHROME / BLACK
ACCESSARY SURFACE TREATMENT	BLUE WHITE ZINC PLATING WITH COLORED ZINC (SST 48-720 HOURS)
IP RATING	IP 65
HANDLE CARRYING TENSION VALUE	≤1300N
HANDLE LOAD TORQUE VALUE	≤290N.m

PTICPA5023
PTICPA5024
PTICPA5025



PROJECT	DESCRIPTION
PRODUCT MODEL	PTICPA5023 PRESS LOCK BRIGHT WITH ALLOY PTICPA5024 PRESS LOCK BLACK WITH KEY PTICPA5025 PRESS LOCK BLACK WITHOUT KEY
MAIN MATERIAL	LOCK BODY ZINC ALLOY, CARBON STEEL FITTINGS
SURFACE TREATMENT OF LOCK BODY	BLACK / BRIGHT CHROMIUM
ACCESSARY SURFACE TREATMENT	BLUE WHITE ZINC PLATING WITH COLORED ZINC (SST 48-720 HOURS)
HANDLE CARRYING TENSION VALUE	≤420N
MAXIMUM STATIC LOAD	400N
REMARKS	SUPPORT CUSTOMIZATION

PTICPA5026



PROJECT	DESCRIPTION
PRODUCT MODEL	PRESS LOCK
MAIN MATERIAL	LOCK BODY ZINC ALLOY, CARBON STEEL FITTINGS
SURFACE TREATMENT OF LOCK BODY	BLACK
ACCESSARY SURFACE TREATMENT	BLUE WHITE ZINC PLATING WITH COLORED ZINC (SST 48-720 HOURS)
HANDLE CARRYING TENSION VALUE	≤420N
MAXIMUM STATIC LOAD	400N
REMARKS	SUPPORT CUSTOMIZATION

PTICPA5027



PROJECT	DESCRIPTION
PRODUCT MODEL	DOOR LOCK
MAIN MATERIAL	PA/CARBON STEEL
SURFACE TREATMENT	BLACK

Swing Locks:

We manufacture comprehensive range of swing locks for Control Panel with different surface finish like chromium & black.

We support customers by developing customized swing locks.



SWING LOCKS

Swing Locks Overview - Types, Materials & Models

Quick reference for control-panel handles:
variants, materials, finishes, and model range.

Types: Folded, lift, foldable handles for control panels

Materials: Zinc alloy, stainless steel; ABS and PA for lift handles.

Surface treatments: Powder coating, bright chromium, mirror polishing.

Models: PTICPA2003 to PTICPA2017 covering multiple sizes and finishes.

Design focus: Ergonomic, durable; supports static and dynamic loads.



PTICPA6001
PTICPA6002


PROJECT	DESCRIPTION
PRODUCT MODEL	PTICPA6001 SWING LOCK ELECTROPLATED MATT FINISH WITH KEY PTICPA6002 SWING LOCK ELECTROPLATED MATT FINISH WITH KEY
MAIN MATERIAL	LOCK BODY ZINC ALLOY, CARBON STEEL FITTINGS
SURFACE TREATMENT OF LOCK BODY	MATTE/GREY CHROME PLATING
ACCESSARY SURFACE TREATMENT	BLUE WHITE ZINC PLATING WITH COLORED ZINC (SST 48-720 HOURS)
IP RATING	IP 54
HANDLE CARRYING TENSION VALUE	<14N.m
REMARKS	SUPPORT CUSTOMIZATION

PTICPA6003
PTICPA6004
PTICPA6005
PTICPA6006
PTICPA6007


PROJECT	DESCRIPTION
PRODUCT MODEL	PTICPA6003 SWING LOCK ELECTROPLATED MATT FINISH PTICPA6004 SWING LOCK ZINC ALLOY PTICPA6005 SWING LOCK ZINC ALLOY PTICPA6006 SWING LOCK ELECTROPLATED MATT FINISH PTICPA6007 SWING LOCK ZINC ALLOY
MAIN MATERIAL	LOCK BODY ZINC ALLOY, ALUMINIUM ALLOY , ABS , CARBON STEEL FITTINGS
SURFACE TREATMENT OF LOCK BODY	MATTE / GREY CHROME PLATING
ACCESSARY SURFACE TREATMENT	BLUE WHITE ZINC PLATING WITH COLORED ZINC (SST 48-720 HOURS)
IP RATING	IP 54
HANDLE CARRYING TENSION VALUE	≤15N.m
HANDLE LOAD TORQUE VALUE	SUPPORT CUSTOMIZATION
REMARKS	SUPPORT CUSTOMIZATION

PTICPA6008
PTICPA6009
PTICPA6010



PROJECT	DESCRIPTION
PRODUCT MODEL	PTICPA6008 SWING LOCK ELECTROPLATED MATT FINISH PTICPA6009 SWING LOCK ZINC ALLOY PTICPA6010 SWING LOCK HALF ZINC ALLOY & HALF ALUMINUM
MAIN MATERIAL	LOCK BODY ZINC ALLOY, CARBON STEEL FITTINGS
SURFACE TREATMENT OF LOCK BODY	MATTE / GREY CHROME PLATING
ACCESSARY SURFACE TREATMENT	BLUE WHITE ZINC PLATING WITH COLORED ZINC (SST 48-720 HOURS)
IP RATING	IP 54
HANDLE CARRYING TENSION VALUE	≤220N
HANDLE LOAD TORQUE VALUE	≤15N.m
REMARKS	SUPPORT CUSTOMIZATION

PTICPA6011



PROJECT	DESCRIPTION
PRODUCT MODEL	SWING LOCK WITH KEY
MAIN MATERIAL	LOCK BODY ZINC ALLOY, CARBON STEEL FITTINGS
SURFACE TREATMENT OF LOCK BODY	MATTE / GREY CHROME PLATING
ACCESSARY SURFACE TREATMENT	BLUE WHITE ZINC PLATING WITH COLORED ZINC (SST 48-720 HOURS)
IP RATING	IP 54
HANDLE CARRYING TENSION VALUE	≤220N
HANDLE LOAD TORQUE VALUE	≤15N.m
REMARKS	SUPPORT CUSTOMIZATION

PTICPA6012
PTICPA6013

R



PROJECT	DESCRIPTION
PRODUCT MODEL	PTICPA6012 SWING LOCK ALUMINUM ALLOY PTICPA6013 SWING LOCK MATT
MAIN MATERIAL	LOCK BODY ZINC ALLOY, CARBON STEEL FITTINGS
SURFACE TREATMENT OF LOCK BODY	MATTE / BLACK
ACCESSARY SURFACE TREATMENT	BLUE WHITE ZINC PLATING WITH COLORED ZINC (SST 24 HOURS)
REMARKS	SUPPORT CUSTOMIZATION

Latch Locks:

We manufacture comprehensive range of latch locks for Control Panel like rod length variation, multipoint locking system & with different surface finish with different material like Zinc die, SS316 materials, also.

We support customers by developing customized panel latch locks.



LATCH LOCKS

Latch Locks Overview - Types, Materials & Models

Quick reference for control-panel latch locks: variants, materials, finishes, and model range.

Types: Latch locks with / without holes, slide protective cap, with key, without key , with flappable cap latch locks for control panels

Materials: Zinc alloy, stainless steel; ABS and PA for latch locks.

Surface treatments: Satin polish, bright chromium, mirror polishing, black

Models: PTICPA8001 to PTICPA8009 covering multiple sizes and finishes.

Design focus: Ergonomic, durable, supports static and dynamic loads

PTICPA8001



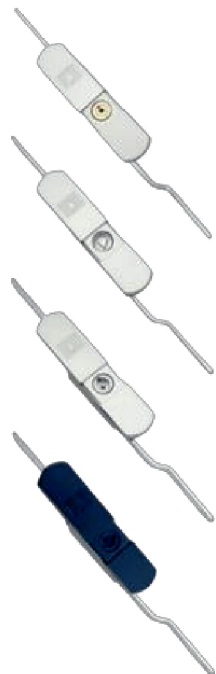
PROJECT	DESCRIPTION
PRODUCT MODEL	ROD LATCH LOCK WITH / WITHOUT HOLE
MAIN MATERIAL	LOCK BODY ZINC ALLOY, CARBON STEEL FITTINGS
SURFACE TREATMENT OF LOCK BODY	BLACK
ACCESSARY SURFACE TREATMENT	BLUE WHITE ZINC PLATING WITH COLORED ZINC (SST 48-720 HOURS)
IP RATING	IP 54
HANDLE CARRYING TENSION VALUE	≤295N
HANDLE LOAD TORQUE VALUE	≤25N.m
REMARKS	SUPPORT CUSTOMIZATION

PTICPA8002 PTICPA8003



PROJECT	DESCRIPTION
PRODUCT MODEL	PTICPA8002 ROD LATCH LOCK BLACK PTICPA8003 ROD LATCH LOCK MATT
MAIN MATERIAL	LOCK BODY ZINC ALLOY, CARBON STEEL FITTINGS
SURFACE TREATMENT OF LOCK BODY	MATTE / BLACK
ACCESSARY SURFACE TREATMENT	BLUE WHITE ZINC PLATING WITH COLORED ZINC (SST 48-720 HOURS)
IP RATING	IP 65
HANDLE CARRYING TENSION VALUE	≤250N
HANDLE LOAD TORQUE VALUE	≤30N.m
REMARKS	SUPPORT CUSTOMIZATION

PTICPA8004



PROJECT	DESCRIPTION
PRODUCT MODEL	LATCH LOCK SLIDE PROTECTIVE CAP WITH FLAT ROD
MAIN MATERIAL	LOCK BODY ZINC ALLOY, CARBON STEEL FITTINGS
SURFACE TREATMENT OF LOCK BODY	MATTE / BLACK
ACCESSARY SURFACE TREATMENT	BLUE WHITE ZINC PLATING WITH COLORED ZINC (SST 48-720 HOURS)
IP RATING	IP 40
HANDLE LOAD TORQUE VALUE	≤9N.m
REMARKS	SUPPORT CUSTOMIZATION

PTICPA8005



PROJECT	DESCRIPTION
PRODUCT MODEL	LATCH LOCK WITH KEY
MAIN MATERIAL	LOCK BODY ZINC ALLOY, CARBON STEEL FITTINGS
SURFACE TREATMENT OF LOCK BODY	BLACK
ACCESSARY SURFACE TREATMENT	BLUE WHITE ZINC PLATING WITH COLORED ZINC (SST 48-720 HOURS)
IP RATING	IP 54
HANDLE CARRYING TENSION VALUE	≤295N
HANDLE LOAD TORQUE VALUE	≤25N.m
REMARKS	SUPPORT CUSTOMIZATION

PTICPA8006



PROJECT	DESCRIPTION
PRODUCT MODEL	LATCH LOCK WITH FLIP & FLAT ROD
MAIN MATERIAL	LOCK BODY ZINC ALLOY, CARBON STEEL FITTINGS
SURFACE TREATMENT OF LOCK BODY	BLACK / MATTE / BRIGHT CHROMIUM / GREY CHROME PLATING
ACCESSARY SURFACE TREATMENT	BLUE WHITE ZINC PLATING WITH COLORED ZINC (SST 48-720 HOURS)
IP RATING	IP 65
HANDLE CARRYING TENSION VALUE	≤400N
HANDLE LOAD TORQUE VALUE	≤35N.m
REMARKS	SUPPORT CUSTOMIZATION

PTICPA8007



PROJECT	DESCRIPTION
PRODUCT MODEL	LATCH LOCK WITH SLIDE PROTECTIVE CAP WITH FLAT ROD
MAIN MATERIAL	LOCK BODY ZINC ALLOY, CARBON STEEL FITTINGS
SURFACE TREATMENT OF LOCK BODY	BLACK
ACCESSARY SURFACE TREATMENT	BLUE WHITE ZINC PLATING WITH COLORED ZINC (SST 48-720 HOURS)
IP RATING	IP 54
HANDLE CARRYING TENSION VALUE	≤520N
HANDLE LOAD TORQUE VALUE	≤27N.m
REMARKS	SUPPORT CUSTOMIZATION

PTICPA8008



PROJECT	DESCRIPTION
PRODUCT MODEL	LATCH LOCK WITH SLIDE PROTECTIVE CAP
MAIN MATERIAL	LOCK BODY ZINC ALLOY, CARBON STEEL FITTINGS
SURFACE TREATMENT OF LOCK BODY	BLACK
ACCESSARY SURFACE TREATMENT	BLUE WHITE ZINC PLATING WITH COLORED ZINC (SST 48-720 HOURS)
IP RATING	IP 54
HANDLE CARRYING TENSION VALUE	≤520N
HANDLE LOAD TORQUE VALUE	≤27N.m
REMARKS	SUPPORT CUSTOMIZATION

PTICPA8009



PROJECT	DESCRIPTION
PRODUCT MODEL	LATCH LOCK SS316 WITH HOLE
MAIN MATERIAL	304 STAINLESS STEEL
SURFACE TREATMENT	BRUSHED

Technical Summary - Materials & Surface Treatments

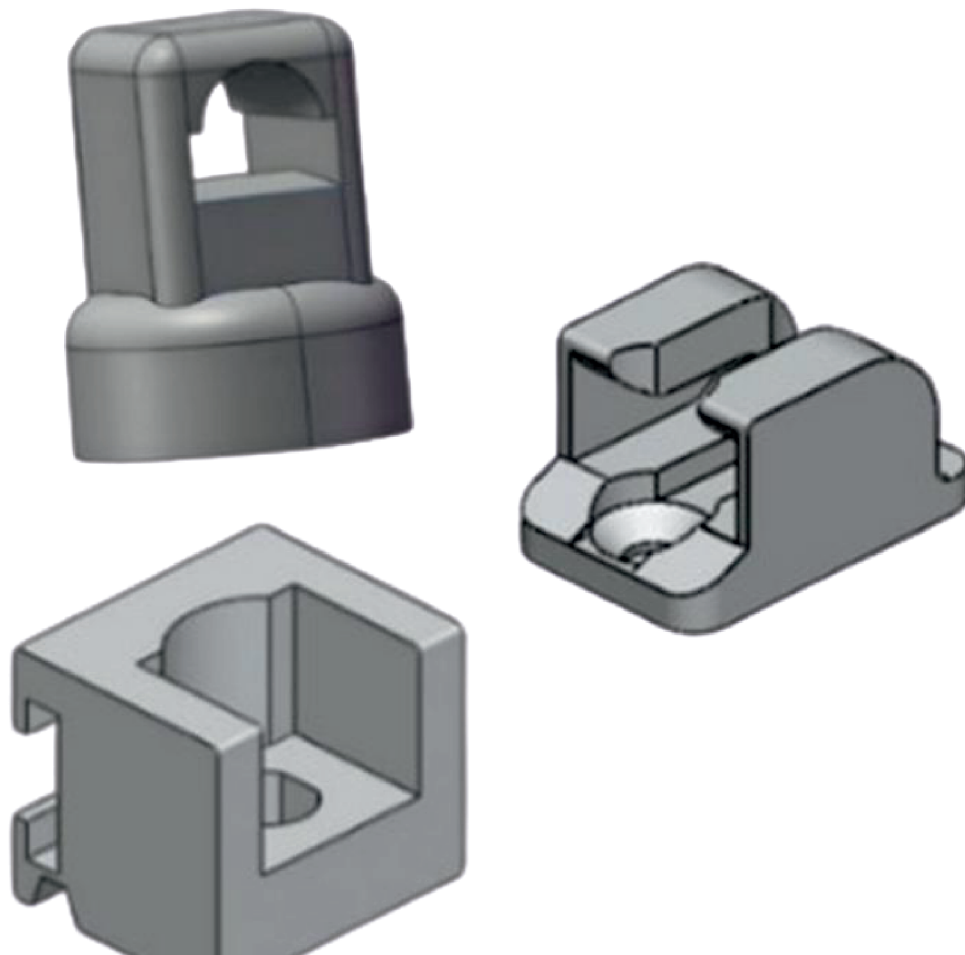
Materials, surface finishes, and verified salt spray resistance for durable electrical enclosures.

Material	Common Surface Treatments	Salt Spray Resistance (hours)
Zinc Alloy	Black powder coating; blue white zinc plating; mirror polishing	24-240
304 Stainless Steel	Mirror polishing; sand blast; bright chromium (where applicable)	72-720
Carbon Steel	Black powder coating; bright chromium; sand blast	24-480

CPA Support Accessories

We manufacture comprehensive range of Control Panel accessories, supporting inline with application requirement for seamless smooth functional fitment in the control systems, also.

We support customers by developing customized accessories for control panel.



CPA SUPPORT ACCESSORIES

Accessories Overview: Durable Guides & Buckles

Materials, surface treatments, designs and function for panel assembly

Rod guides in multiple designs (step, slot, rounded) for precise assembly; mainly black PA.

Buckles and fasteners made from **stainless steel** for robust fastening.

Additional parts in **zinc alloy, PA, and stainless steel**.

Surface treatments: zinc blue plating; salt spray tested up to **200 hours** for corrosion resistance.

Functional purpose: improve assembly precision, secure fastening, and ensure long-term durability.

PTICPA7001



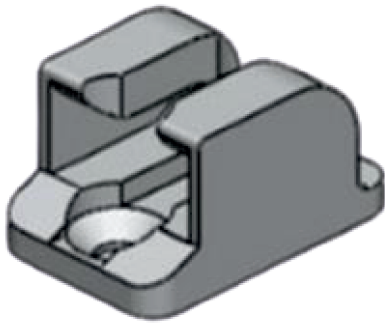
PROJECT	DESCRIPTION
PRODUCT MODEL	STRENGTH NUT
MAIN MATERIAL	CARBON STEEL
SURFACE TREATMENT	BLUE-WHITE ZINC PLATING

PTICPA7002



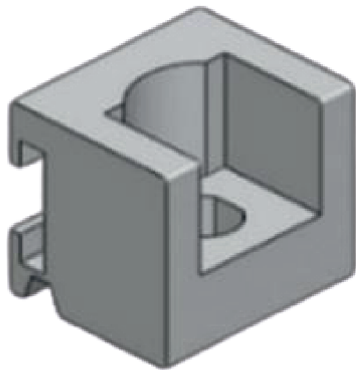
PROJECT	DESCRIPTION
PRODUCT MODEL	HINGE PA BLACK
MAIN MATERIAL	PA
SURFACE TREATMENT	BLACK

PTICPA7003



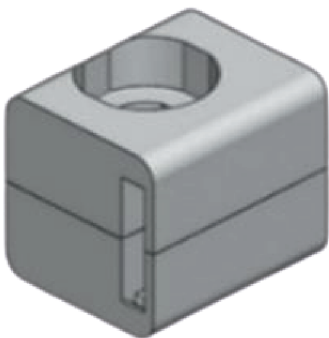
PROJECT	DESCRIPTION
PRODUCT MODEL	ROD GUIDE ZINC ALLOY
MAIN MATERIAL	ZINC ALLOY
SURFACE TREATMENT	ZINC BLUE PLATED

PTICPA7004



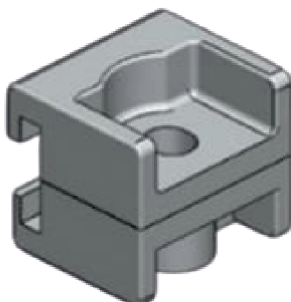
PROJECT	DESCRIPTION
PRODUCT MODEL	ROD GUIDE PA
MAIN MATERIAL	PA
SURFACE TREATMENT	BLACK

PTICPA7005



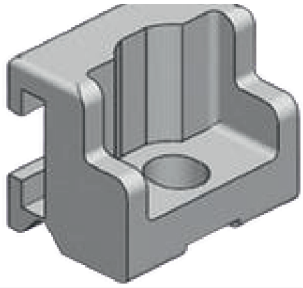
PROJECT	DESCRIPTION
PRODUCT MODEL	CLOSED ROD GUIDE PA
MAIN MATERIAL	PA
SURFACE TREATMENT	BLACK

PTICPA7006



PROJECT	DESCRIPTION
PRODUCT MODEL	ROD GUIDE WITH PA WITH SLOT
MAIN MATERIAL	PA
SURFACE TREATMENT	BLACK

PTICPA7007



PROJECT	DESCRIPTION
PRODUCT MODEL	ROD GUIDE PA WITH STEP
MAIN MATERIAL	PA
SURFACE TREATMENT	BLACK

PTICPA7008



PROJECT	DESCRIPTION
PRODUCT MODEL	ROD GUIDE ROUNDED
MAIN MATERIAL	PA
SURFACE TREATMENT	BLACK

PTICPA7009



PROJECT	DESCRIPTION
PRODUCT MODEL	ROUND ROD END CAP WITH ROLLER
MAIN MATERIAL	ZINC ALLOY
SURFACE TREATMENT	ZINC BLUE PLATED

PTICPA7010

PTICPA7011



PROJECT	DESCRIPTION
PRODUCT MODEL	PTICPA7010 DOC. HOLDER ORANGE PTICPA7011 DOC. HOLDER WHITE
MAIN MATERIAL	PA
SURFACE TREATMENT	ORANGE / WHITE

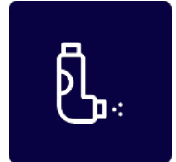
IP Ratings & Environmental Sealing - PROTECH INDIA

How IP ratings and surface treatments protect panels and accessories.

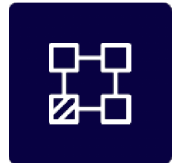
IP40–IP65 range covers most industrial control panel needs; IP54 and IP65 ensure dust ingress protection and resistance to water splash



IP54: protection against limited dust ingress and water splash; IP65: dust-tight and water jet resistant — critical for electrical safety



Accessory treatments: blue white zinc plating and colored zinc coatings increase corrosion and wear resistance



Combined approach: select appropriate IP rating for environment and use plating/coatings to extend lifespan and maintain operational safety



Customization & Engineering Support

Tailored handles, locks, finishes and mechanical adaptations to meet client specs.

PROTECH INDIA offers product customization for Quarter turn lock, hinges, handles, accessories to meet client-specific requirements.



Support for tailored surface finishes, material selections, and mechanical adaptations.



Options to tune tension values, load capacities, and add unique design features.



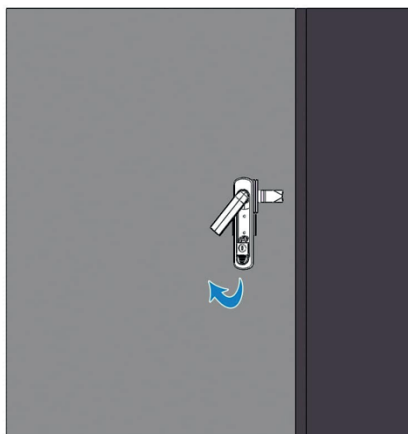
Flexibility aids engineers optimizing control panel design for functional and compliance specifications.



Legend Description

	Installation outside the sealing strip		Installation inside the sealing strip		Back-flap hinge		Blind hinge		Cassette hinge
	Locking device		Screwsleeve		Dispensing treatment	48H	48-hour salt spray	72H	72-hour salt spray
200H	200 hours salt spray	R	Turn right to open the door	L	Turn left to open the door	RL	Right and left turn door opening	INOX AISI 3..	Stainless steel
	Outdoor paint	1PL	Single point lock door	2PL	Lock the door at two points	3PL	Lock the door at three o'clock	3PL	Variable lock point
MPL	Lock multiple doors	IP40	IP rating: IP40	IP50	IP rating: IP50	IP54	IP rating: IP54	IP64	IP rating: IP64
IP65	IP rating: IP65		Screw adjustment		Padlock device				

Open the Door Left & Right

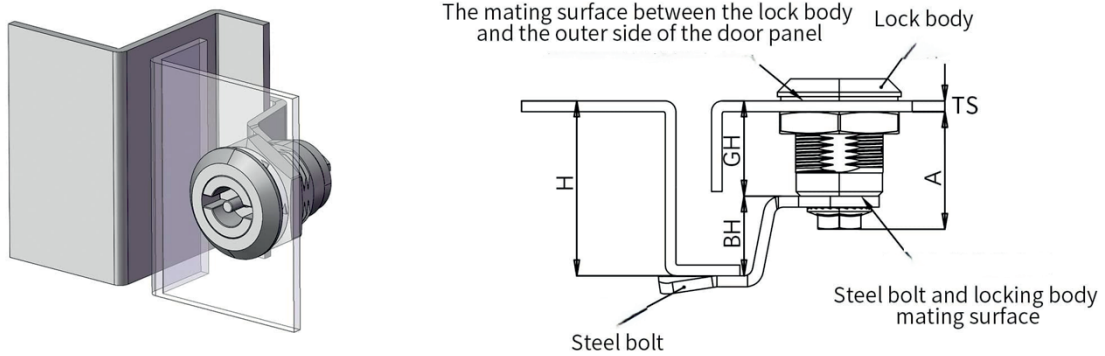


Turn the handle left to open the door

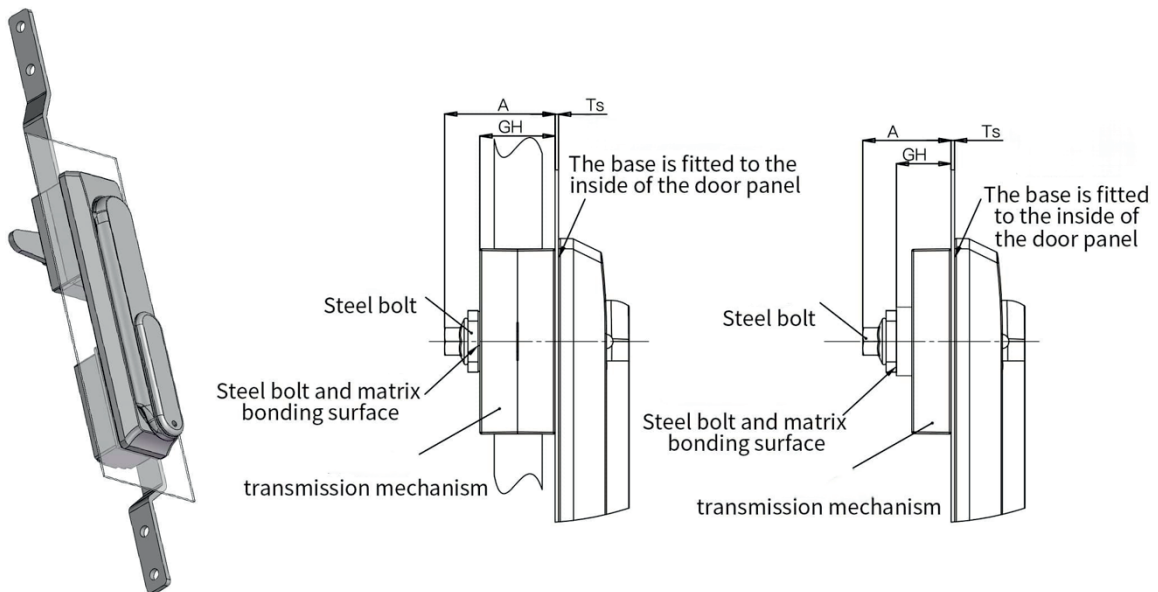


Turn the handle right to open the door

Description of the Height of the stop and the base



Base height GH: The distance A from the bonding surface between the base and the outer side of the door panel to the bonding surface between the steel bolt and the base changes with the TS size. GH height is calculated from the outer side of the door panel; Stop height $H=GH+BH$;



Base height GH: The distance A from the contact surface between the base and the inner side of the door panel to the contact surface between the steel bolt and the locking body does not change with the Ts size. GH height is calculated from the inner side of the door panel; In general, its product is a two body separable structure; Stop height $H=GH+BH$;



PROTECH INDIA CONTROL PANEL ACCESSORIES

Contact PROTECH INDIA - Orders & Support

Quality control panel accessories and dedicated project support

Address:

#33, Yerrappa Industrial Layout,
Dakshina Murthy Temple Road,
Chennenahalli, Magadi Main Road,
Bangalore- 562130, India

Phone: +91 98866 56142

Email ids:

sales@protechindia.in
info@protechindia.in
satish@protechindia.in

Website: www.protechindia.in

Our expert team is ready to support your project needs with **quality products and reliable service.**

